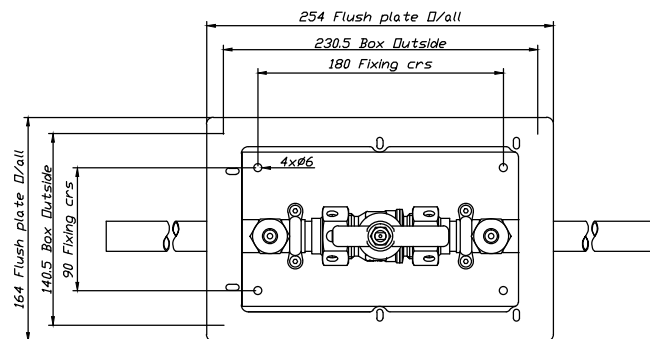
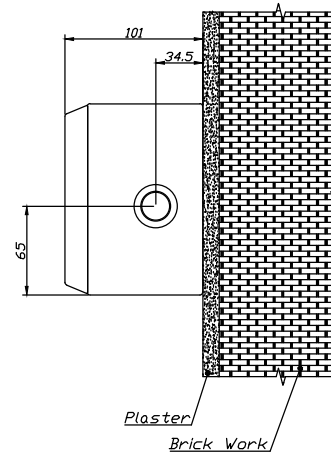
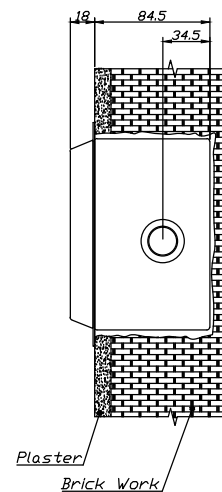


Shown With Door and Open/Close Label removed.



Shown With Door and Open/Close Label removed.



If In Doubt Ask								
Do Not Scale		Drawn by K.J.P.	Checked by	Approved by - date	Filename	Date 16/12/2013	Scale NTS	All Dims In mm Unless Otherwise Stated
		PRECISION UK Ltd CPX Technology Building, Pepper Road, Hazel Grove, Sockport SK7 5BW Tel: 00 44 (0) 161 487 2822 Fax: 00 44 (0) 161 487 2816 Email: info@precision-parts.co.uk www.precision-parts.co.uk			AVSU INSTALLATION DIAGRAM			
					AVSU-INST-01		Revision 0	Sheet 1/1